

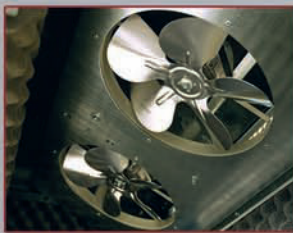
Siltek



Silent piston compressors, power ranges from 1.5 up to 7.5 kW.

Simple, silent, compact, low-priced, easy-maintenance compressors.

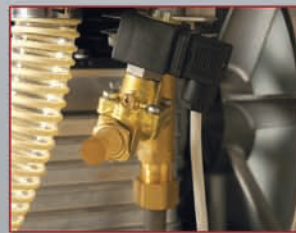
This new range has been designed to offer users a highly reliable product providing **superb price/quality ratio.**



ELECTRIC FAN
It guarantees optimum cooling including in heavy operating conditions.



ELECTRIC PANEL
Full compressor operation control.



SOLENOID VALVE
Reducing cylinder pressure when starting the equipment.

Siltek

SILTEK 250 and 350 models incorporate a 24-litre tank complete with safety valve and manual condensate drainage.

Additionally, they are provided with magneto-thermal overload cut-out, power lead, belt-drive protective screen, and silent suction filter.

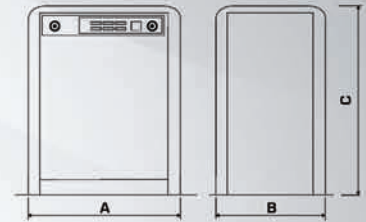
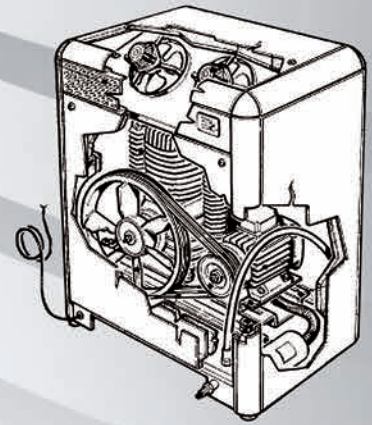
SILTEK 500, 750, 850 and 1100 compressors are provided with low-voltage electric panel (CEI 60204 standards) with electromagnetic line switches, fuses, motor thermal protection, emergency pushbutton, hour meter, pressure gauge, safety valve, and silent suction filter.

Compressor compartment cooling is achieved by means of electric fans controlled by thermostatic probes.

All electric motors have IP 55 class F protection rating.

A solenoid valve guaranteeing the rapid release of cylinder pressure is used to facilitate the electric motor start and pickup stage.

Fully removable panels, oil drainage with gate valve, and extension hose ensures easy maintenance.



MOD.	REFERENCE	Volt/Hz	m ³ /min	cfm	Stages	pist	HP	KW	Bar	dB(A)	Tank	Weight	Dimension			
													A	B	C	
SINGLE PHASE - Volt/Hz 230/50																
250/24	CP250B10A	230/50	0,220	7,8	1	2	2	1,5	10	60	24	103	700	620	1100	
THREE PHASE - Volt/Hz 400/50																
250/24	CP250B10B	400/50	0,220	7,8	1	2	2	1,5	10	60	24	103	700	620	1100	
350/24	CP350B10B	400/50	0,321	11,3	1	2	3	2,2	10	63	24	110	700	620	1100	
500	CP500A10B	400/50	0,413	14,6	2	2	4	3	11	65	-	147	850	620	1100	
750	CP750A10B	400/50	0,727	20,5	2	2	5,5	4	11	65	-	168	850	620	1100	
750 X	CP750A10D	400/50	0,727	20,5	2	2	5,5	4	11	65	-	168	850	620	1100	
850	CP850A10B	400/50	0,827	25,7	2	2	7,5	5,5	11	68	-	182	850	620	1100	
850 X	CP850A10D	400/50	0,827	25,7	2	2	7,5	5,5	11	68	-	182	850	620	1100	
1100	CP110A10B	400/50	1,074	38	2	2	10	7,5	11	68	-	220	850	620	1100	
1100 X	CP110A10D	400/50	1,074	38	2	2	10	7,5	11	68	-	220	850	620	1100	

X= star-delta starting

The manufacturer may change the above-mentioned technical specifications without prior notice.

All SILTEK electro-compressors comply with the following European directives and standards:
98/37/EC - 87/404/EC - 97/23/EC - 89/336/EC - 73/23/EC - EN60204-1-EN - 1012/1 - EN 292-1-2

For more information, please contact your nearest dealer or:

 **BOTTARINI**