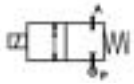


2/2 WAY DIRECT ACTING SOLENOID VALVE with hose tail



normally closed

TYPE: 244

TECHNICAL SPECIFICATIONS

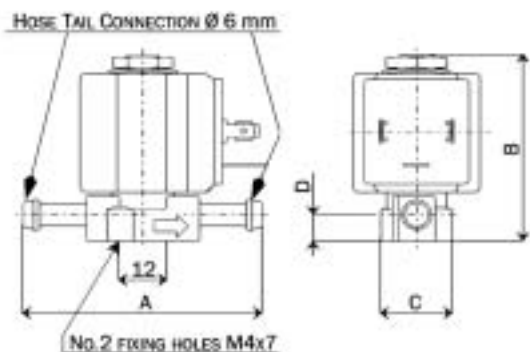
Media:	water, oil, air
Media temperature:	-10°C ÷ +130°C
Ambient temperature:	-10°C ÷ +50°C
Body material:	brass (CW617N EN 12165)
Operator material:	stainless steel
Seal material:	FKM
Coil power:	AC 12VA (holding) AC 24VA (inrush) DC 10W
Protection class:	IP 65 (with connector)



OPTIONS

NBR seal for air, water, oil MAX 90°C (Ex. code 244DBF)

SELECTION TABLE	VALVE	G connection	Nominal Diameter	Flow rate kvs	OPD			COILS	
					min	max		Code	[Volts/Hz]
	Code	[ISO 228]	[mm]	[l/min]	[bar]	AC [bar]	DC [bar]	Code	[Volts/Hz]
	244DVF	-	2.2	2	0	15	10	8250	24V DC
								8200	24V 50/60Hz
								8400	110V 50/60Hz
								8700	230V 50Hz – 240V 60Hz



DIMENSIONS & WEIGHTS

G connection	A	B	C	D	weight
[ISO 228]	[mm]	[mm]	[mm]	[mm]	[Kg]
-	61.5	50	19	7	0.19