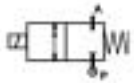


## 2/2 WAY DIRECT ACTING SOLENOID VALVE, G 1/8" - G 1/4"



normally closed

TYPE: 248/249

### TECHNICAL SPECIFICATIONS

Media:	water, oil, air
Media temperature:	-10°C ÷ +130°C
Ambient temperature:	-10°C ÷ +50°C
Body material:	brass (CW617N EN 12165)
Operator material:	stainless steel
Seal material:	FKM
Coil power:	AC 12VA (holding) AC 24VA (inrush) DC 10W
Protection class:	IP 65 (with connector)

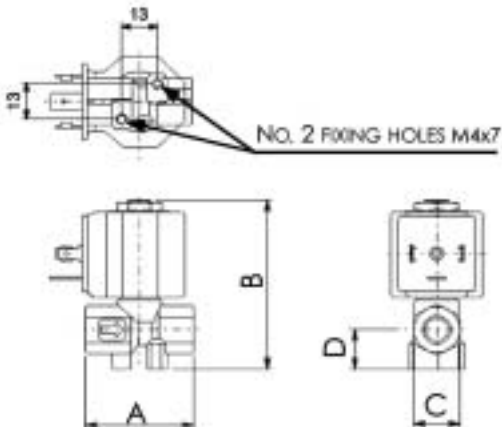
### OPTIONS

EPDM seal for air and hot water MAX 120°C (Ex. code 248DEF)



SELECTION TABLE	VALVE	G connection	Nominal Diameter	Flow rate kvs	OPD*			COILS	
					min	max		Code	[Volts/Hz]
	Code	[ISO 228]	[mm]	[l/min]	[bar]	AC [bar]	DC [bar]		
	248DVD	1/8"	1.7	1.5	0	25	20	8250	24V DC
	248DVF	1/8"	2.2	2.4	0	18	13	8200	24V 50/60Hz
	248DVH	1/8"	3.0	4	0	12	7	8400	110V 50Hz - 120V 60Hz
	249DVD	1/4"	1.7	1.5	0	25	20	8700	230V 50Hz - 240V 60Hz
	249DVF	1/4"	2.2	2.4	0	18	13		
	249DVH	1/4"	3.0	4.5	0	12	7		
	249DVL	1/4"	4.0	6	0	4	1.5		

\* OPD rating valid since april 2007



DIMENSIONS & WEIGHTS	G connection	A	B	C	D	weight
	[ISO 228]	[mm]	[mm]	[mm]	[mm]	[Kg]
	1/8"	38	62.5	CH 17	14.5	0.19
1/4"	38	62.5	CH 17	14.5	0.18	