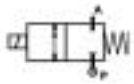


## 2/2 WAY DIRECT ACTING SOLENOID VALVE, G 1/8"



normally closed

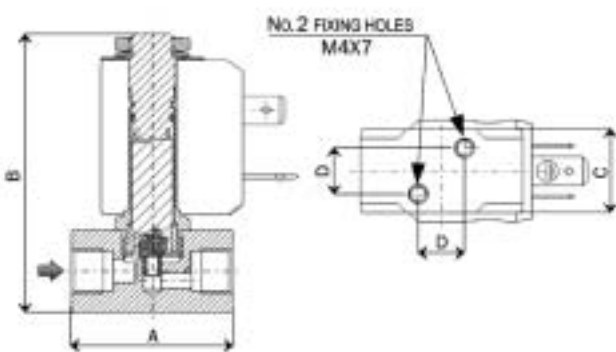
TYPE: B298

### TECHNICAL SPECIFICATIONS

Media:	water, oil, air, aggressive fluids
Media temperature:	-10°C ÷ +130°C
Ambient temperature:	-10°C ÷ +50°C
Body material:	stainless steel (AISI 303 EN 10088-3)
Orifice material:	stainless steel (AISI 303 EN 10088-3)
Operator material:	stainless steel
Seal material:	foodgrade FKM A80
Coil power:	AC 10VA (holding) AC 16VA (inrush) DC 7W
Protection class:	IP 65 (with connector)



SELECTION TABLE	VALVE	G connection	Nominal Diameter	Flow rate kvs	OPD			COILS	
	Code	[ISO 228]	[mm]	[l/min]	min	max		Code	[Volts/Hz]
					[bar]	AC [bar]	DC [bar]		
	B298DV3	1/8"	1.5	1.0	0	18	15	2250	24V DC
	B298DV5	1/8"	2.0	1.9	0	12	9	2200	24V 50/60Hz
	B298DV7	1/8"	2.5	2.7	0	8	3	2400	110V 50Hz - 120V 60Hz
	B298DV8	1/8"	3.0	3.5	0	3	1	2600	200V 50Hz - 220V 60Hz
								2700	230V 50Hz - 240V 60Hz



DIMENSIONS & WEIGHTS	G connection	A	B	C	D	weight
	[ISO 228]	[mm]	[mm]	[mm]	[mm]	[Kg]
	1/8"	35	60.6	18	10	0.1