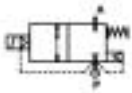


2/2 WAY PILOT OPERATED SOLENOID VALVE, G 1 1/4" ÷ G 2"



normally closed

TYPE: D223/224/225

TECHNICAL SPECIFICATIONS

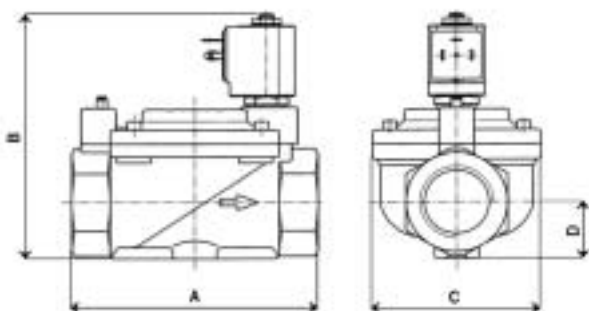
Media: water, oil, air
Media temperature: -10°C ÷ +90°C
Ambient temperature: -10°C ÷ +50°C
Body material: brass (CW617N EN 12165)
Operator material: stainless steel
Operator seal material: NBR
Seal and diaphragm material: NBR
Coil power: AC 18VA (holding)
AC 36VA (inrush)
DC 14W
Protection class: IP 65 (with connector)
Speed control screw as standard



OPTIONS

Normally open (Ex. code RD224DBK) with coils class "H" only
Manual override (Ex. code D223DBKM)
EPDM seal for air and hot water MAX 120°C (Ex. code D223DEK)
FKM seal for air, water, oil MAX 130°C (Ex. code D223DYK)

SELECTION TABLE	VALVE	G connection	Nominal Diameter	Flow rate kvs	OPD		COILS		
	Code	[ISO 228]	[mm]	[l/min]	min [bar]	max AC [bar]	max DC [bar]	Code	[Volts/Hz]
	D223DBK	1 1/4"	40	370	0.5	16	16	7250	24V DC
	D224DBK	1 1/2"	40	400	0.5	16	16	7200	24V 50/60Hz
	D225DBJ	2"	50	540	0.5	16	16	7400	110V 50Hz - 120V 60Hz
								7600	200V 50Hz - 220V 60Hz
								7700	230V 50Hz - 240V 60Hz



DIMENSIONS & WEIGHTS	G connection	A	B	C	D	weight
	[ISO 228]	[mm]	[mm]	[mm]	[mm]	[Kg]
	1 1/4"	140	140	96	31	2.8
	1 1/2"	140	140	96	31	2.8
	2"	168	158	112	39	3.9