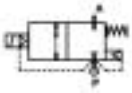


2/2 WAY PILOT OPERATED SOLENOID VALVE, G 3/8" ÷ G 3/4", HIGH PRESSURE



normally closed

TYPE: D232/233/234

TECHNICAL SPECIFICATIONS

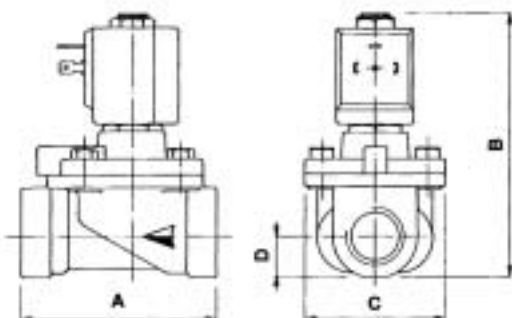
Media:	water, oil, air
Media temperature:	-10°C ÷ +130°C
Ambient temperature:	-10°C ÷ +50°C
Body material:	brass (CW617N EN 12165)
Orifice material:	stainless steel (AISI 303 EN 10088-3)
Operator material:	stainless steel
Operator seal material:	Ruby
Diaphragm material:	FKM
Main seal material:	PTFE
Coil power:	AC 18VA (holding) AC 36VA (inrush) DC 14W
Protection class:	IP 65 (with connector)



OPTIONS

Normally open (Ex. code RD232DTW) with coils class "H" only
 FKM main seal for air, water, oil MAX 130°C (Ex. code D233D_VW)
 MAX OPD: 25 bar AC / DC

SELECTION TABLE	VALVE	G connection	Nominal Diameter	Flow rate kvs	OPD			COILS	
					min	max		Code	[Volts/Hz]
	Code	[ISO 228]	[mm]	[l/min]	[bar]	AC [bar]	DC [bar]		
	D232DTW	3/8"	15.5	31	1	50	50	7250	24V DC
	D233DTW	1/2"	15.5	35	1	50	50	7200	24V 50/60Hz
	D234DTW	3/4"	15.5	37	1	50	50	7400	110V 50Hz - 120V 60Hz
								7600	200V 50Hz - 220V 60Hz
								7700	230V 50Hz - 240V 60Hz



DIMENSIONS & WEIGHTS	G connection	A	B	C	D	weight
	[ISO 228]	[mm]	[mm]	[mm]	[mm]	[Kg]
	3/8"	86	115	50	17.5	0.9
	1/2"	86	115	50	17.5	0.9
	3/4"	86	115	50	17.5	0.9