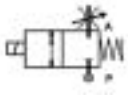


2/2 WAY DIRECT ACTING SOLENOID VALVE, G 1/4" - G 3/8"

WITH FLOW REGULATION

normally closed

TYPE: D260/261

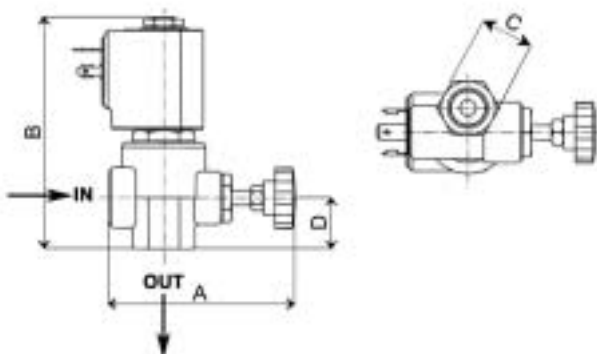


TECHNICAL SPECIFICATIONS

Media: water, steam
Media temperature: -10°C ÷ +150°C
Ambient temperature: -10°C ÷ +70°C
Body material: brass (CW617N EN 12165)
Orifice material: stainless steel (AISI 303 EN 10088-3)
Operator material: stainless steel
Seal material: Sigodur (filled PTFE)
Coil power: AC 18VA (holding)
AC 36VA (inrush)
Protection class: IP 65 (with connector)
Not RoHS compliant



SELECTION TABLE	VALVE	G connection	Nominal Diameter	Flow rate kvs	OPD			COILS	
	Code	[ISO 228]	[mm]	[l/min]	min	max		class "H" only	
					[bar]	AC [bar]	DC [bar]	Code	[Volts/Hz]
	D260DLP	1/4"	6.0	8.5	0	5.0	-	7201	24V 50/60Hz
	D261DLP	3/8"	6.0	8.5	0	5.0	-	7401	110V 50Hz - 120V 60Hz
								7601	200V 50Hz - 220V 60Hz
								7701	230V 50Hz - 240V 60Hz



DIMENSIONS & WEIGHTS	G connection	A	B	C	D	weight
	[ISO 228]	[mm]	[mm]	[mm]	[mm]	[Kg]
	1/4"	72 ÷ 80	96	CH 22	20	0.395
3/8"	72 ÷ 80	96	CH 22	20	0.395	