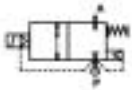


2/2 WAY PILOT OPERATED VALVE WITH ASSISTED LIFT, G 1/4" ÷ G 1"



normally closed

TYPE: D187/188/189/190/192/293

TECHNICAL SPECIFICATIONS

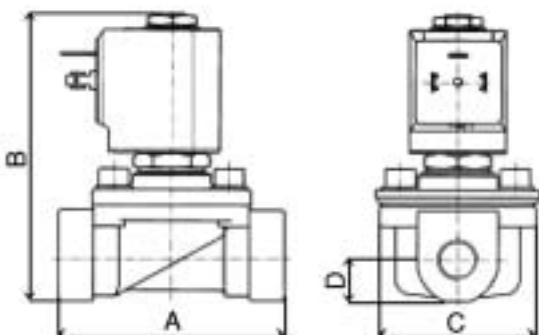
Media:	water, oil, air
Media temperature:	-10°C ÷ +90°C
Ambient temperature:	-10°C ÷ +50°C
Body material:	brass (CW617N EN 12165)
Operator material:	stainless steel
Operator seal material:	FKM
Seal and diaphragm material:	NBR
Coil power:	AC 18VA (holding) AC 36VA (inrush) DC 14W
Protection class:	IP 65 (with connector)

OPTIONS

- EPDM seal for air and hot water MAX 120°C (Ex. code D188DEW)
- FKM seal for air, water, oil MAX 130°C (Ex. code D187DVW)
- DC MAX 6 bar x D187÷192 (Ex. code C D187DBW)
- DC MAX 5 bar x D293 (Ex. code C D293DBY)
- (¹) Speed control screw as standard for type "D293"



SELECTION TABLE	VALVE	G connection	Nominal Diameter	Flow rate kvs	OPD			COILS	
					min	max		Code	[Volts/Hz]
	Code	[ISO 228]	[mm]	[l/min]	[bar]	AC [bar]	DC [bar]		
	D187DBW	1/4"	15	50	0	16	•	7250	24V DC
	D188DBW	3/8"	15	60	0	16	•	7200	24V 50/60Hz
	D189DBW	1/2"	15	65	0	16	•	7400	110V 50Hz - 120V 60Hz
	D190DBW	3/4"	15	80	0	16	•	7600	200V 50Hz - 220V 60Hz
	D192DBW compact	1"	15	85	0	16	•	7700	230V 50Hz - 240V 60Hz
	D293DBY ⁽¹⁾	1"	25	140	0	16	•		



DIMENSIONS & WEIGHTS	G connection	A	B	C	D	weight
	[ISO 228]	[mm]	[mm]	[mm]	[mm]	[Kg]
	1/4"	75	108	53	14	0.5
	3/8"	75	108	53	14	0.5
	1/2"	75	108	53	14	0.5
	3/4"	85	108	52	21.5	0.8
	1" compact	85	108	52	21.5	0.7
	1"	100	113	68	21.5	1.2