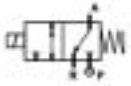


3/2 WAY DIRECT ACTING SOLENOID VALVE, G 1/8" - G 1/4"



normally closed

TYPE: D398/399

TECHNICAL SPECIFICATIONS

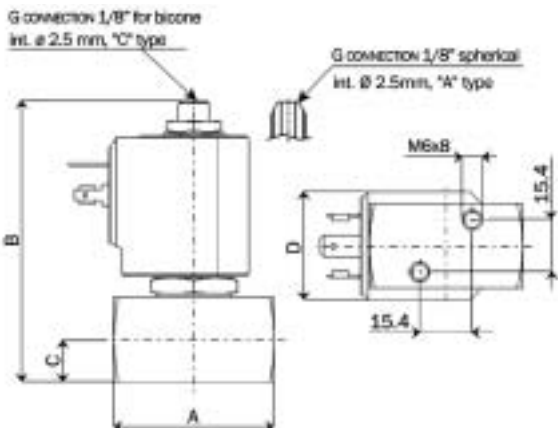
Media: aggressive fluids
Media temperature: -10°C ÷ +130°C
Ambient temperature: -10°C ÷ +50°C
Body material: stainless steel (AISI 303 EN 10088-3)
Orifice material: stainless steel (AISI 303 EN 10088-3)
Operator material: stainless steel
Seal material: FKM
Coil power: AC 18VA (holding)
AC 36VA (inrush)
DC 14W
Protection class: IP 65 (with connector)



OPTIONS

Normally open (Ex. code RD399CVH) with coils class "H" only
 EPDM seal for air and hot water MAX 120°C (Ex. code D398CEG)
 Armature tube with G connection 1/8" spherical (Ex. code D398AVC)

SELECTION TABLE	VALVE	G connection	Nominal Diameter	Flow rate kvs	OPD			COILS	
					min	max	max	Code	[Volts/Hz]
	Code	[ISO 228]	[mm]	[l/min]	[bar]	AC [bar]	DC [bar]		
	D398CVC	1/8"	1.5	1.3	0	18	18	7250	24V DC
	D398CVE	1/8"	2.0	2.2	0	10	10	7200	24V 50/60Hz
	D398CVG	1/8"	2.5	3.4	0	7	7	7400	110V 50Hz - 120V 60Hz
	D399CVC	1/4"	1.5	1.3	0	18	18	7600	200V 50Hz - 220V 60Hz
	D399CVE	1/4"	2.0	2.2	0	10	10	7700	230V 50Hz - 240V 60Hz
	D399CVG	1/4"	2.5	3.4	0	7	7		
	D399CVH	1/4"	3.0	4.5	0	5	5		



DIMENSIONS & WEIGHTS	G connection	A	B	C	D	weight
	[ISO 228]	[mm]	[mm]	[mm]	[mm]	[Kg]
	1/8"	44	88	12.5	32	0.35
1/4"	44	88	12.5	32	0.35	

Flow direction underseat 2→1